

Kit for fixing between floor and ceiling

Comprises: 19mm ø ceiling - floor fixing with 4M x 1.5mm ø stainless steel cable and tensioner. Allen key and fixing screws supplied.

Code: **6000**
Finishes: **SA/BA/STA**



Ceiling, floor or wall mounted kit

Comprises: 40mm ø top and bottom swivel rose with 4M x 1.5mm ø stainless steel cable and tensioner. Allen key and fixing screws supplied.

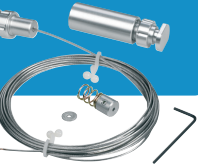
Code: **6005**
Finishes: **SA/BA/STA**



Floor to ceiling track mounted kit

Comprises: 19mm ø top and bottom sliding track fixings with 4M x 1.5mm ø stainless steel cable and tensioner. Allen key supplied.

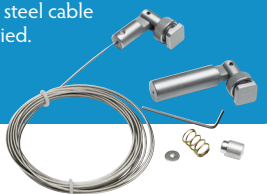
Code: **6040**
Finishes: **SA/STA**



Wall mounted track kit

Comprises: Angled top and bottom sliding track fixings with 4M x 1.5mm dia. stainless steel cable and tensioner. Allen key supplied.

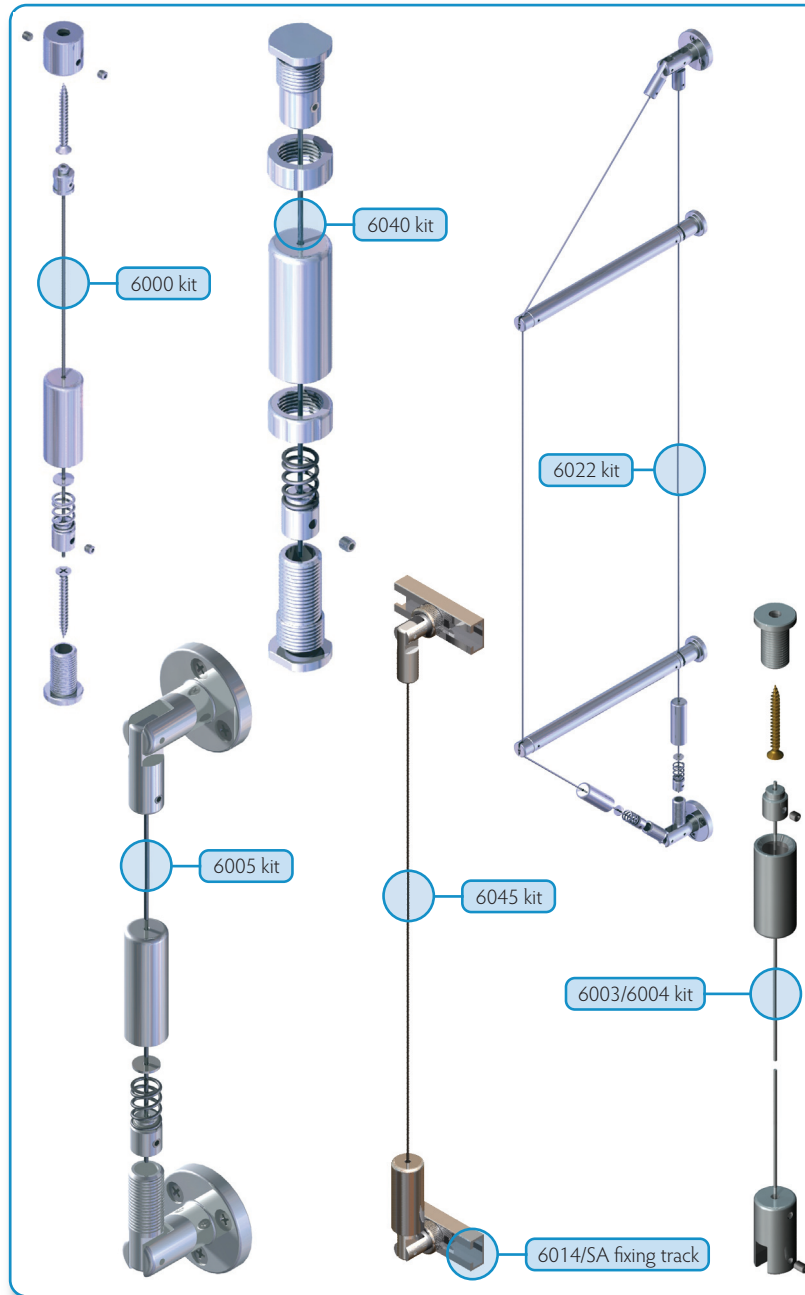
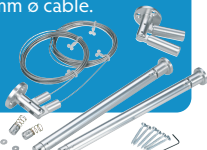
Code: **6045**
Finishes: **SA/STA**



Wall mount shelf kit

Comprises: 40mm ø top and bottom swivel rose, 225mm long distance rod, 2 x 4M lengths of 1.5mm ø cable. Allen key and fixing screws supplied.

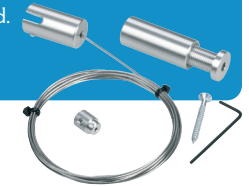
Code: **6022**
Finishes: **SA/BA/STA**



Hanging kit for 3mm panel

Comprises: 19mm ø top fixing and hanging support, 2M x 1.5mm ø stainless steel cable. Allen key and fixing screw supplied.

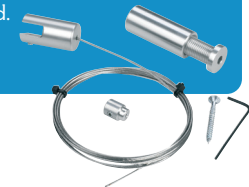
Code: **6003**
Finishes: **SA/BA/STA**



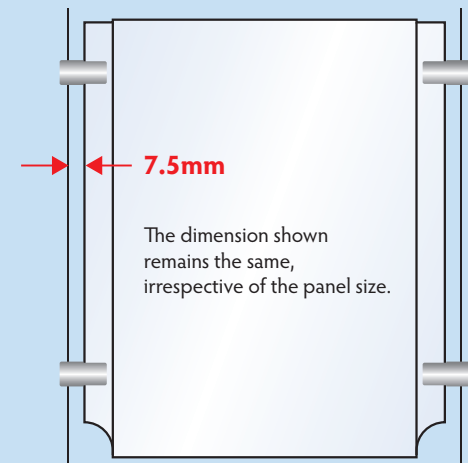
Hanging kit for 6mm panel

Comprises: 19mm ø top fixing and hanging support, 2M x 1.5mm ø stainless steel cable. Allen key and fixing screw supplied.

Code: **6004**
Finishes: **SA/BA/STA**



INSTALLATION TIP



When using 1.5mm cable, the distance between the cable centre and the edge of the panel should be 7.5mm. If using swivel supports (6018/6019), this dimension is increased to 12.5mm.

When ordering, insert a forward slash after the code, followed by the finish code. e.g. 6011/SA.

Silver anodised Finish code **SA** **Brass anodised** Finish code **BA** **Stainless anodised** Finish code **STA**